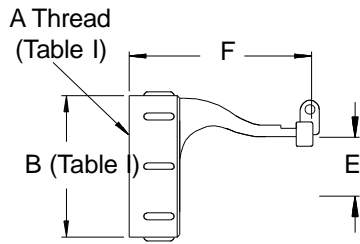
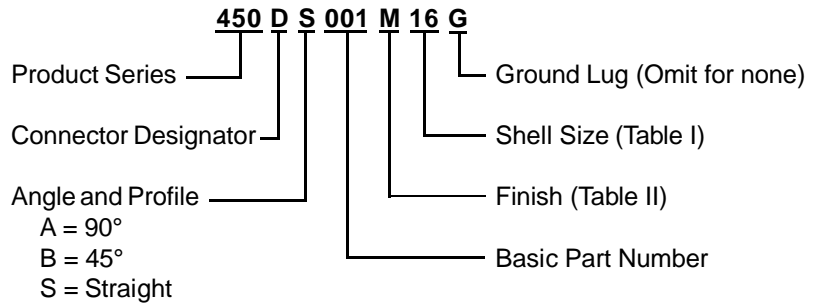


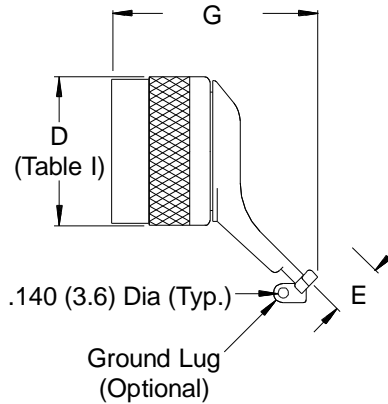
450-001
Qwik-Ty® Strain Relief - Connector Designator D
 Direct Coupling (Straight)
 Rotatable Coupling (45° and 90° Elbows)



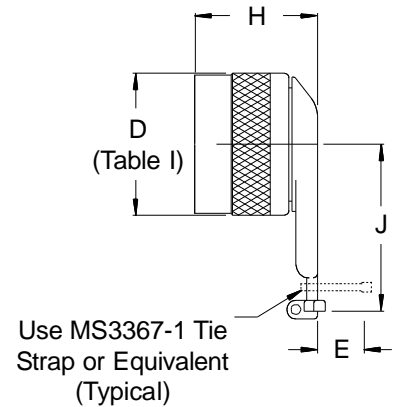
**CONNECTOR
 DESIGNATOR
 D**



**STRAIGHT
 DIRECT COUPLING**



**45°
 ROTATABLE COUPLING**



**90°
 ROTATABLE COUPLING**

See inside back cover fold-out or pages 13 and 14 for Tables I and II.

TABLE III: DIMENSIONS

Shell Size	E Cable Entry	F Max	G Max	H Max	J Max
08	.275 (7.0)	1.400 (35.6)	1.850 (47.0)	1.240 (31.5)	.880 (22.4)
10	.402 (10.2)	1.400 (35.6)	1.850 (47.0)	1.240 (31.5)	.940 (23.9)
12	.516 (13.1)	1.400 (35.6)	1.850 (47.0)	1.240 (31.5)	1.000 (25.4)
14	.651 (16.5)	1.610 (40.9)	2.350 (59.7)	1.230 (31.2)	1.320 (33.5)
16	.766 (19.5)	1.610 (40.9)	2.350 (59.7)	1.230 (31.2)	1.380 (35.1)
18	.872 (22.1)	1.610 (40.9)	2.440 (62.0)	1.260 (32.0)	1.460 (37.1)
20	.997 (25.3)	1.680 (42.7)	2.510 (63.8)	1.260 (32.0)	1.510 (38.4)
22	1.125 (28.6)	1.680 (42.7)	2.510 (63.8)	1.260 (32.0)	1.560 (39.6)
24	1.247 (31.7)	1.770 (45.0)	2.650 (67.3)	1.260 (32.0)	1.630 (41.4)

1. Cable Entry is defined as the accommodation entry for the wire bundle or cable. Dimensions are not intended for inspection criteria.
2. Metric dimensions (mm) are indicated in parentheses.